

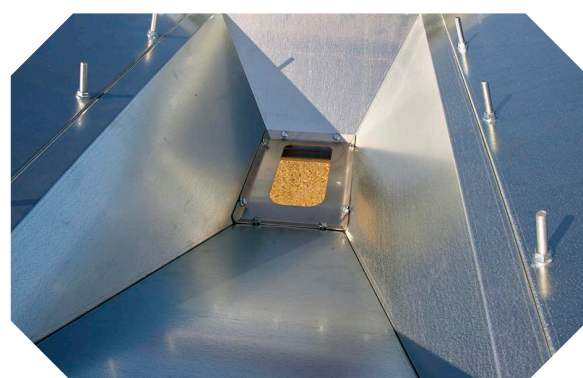


BigBag Silo BS 1200

BigBag Silo BS 1200 is a silo frame for emptying Big Bags

The silo is suited for the majority of products delivered in big bags with or without pipe connection

The design of the funnel ensures emptying without waste



The **BigBag Silo BS 1200** provides a daily workload relief by direct emptying into feed truck or bucket by use of the slide gate

The **BigBag Silo BS 1200** assures a good hygiene and physical contact with the content of the big bag can be limited

The **BigBag Silo BS 1200** protects best possible the content of the big bag against pollution of dust and moisture, if any, from the surroundings

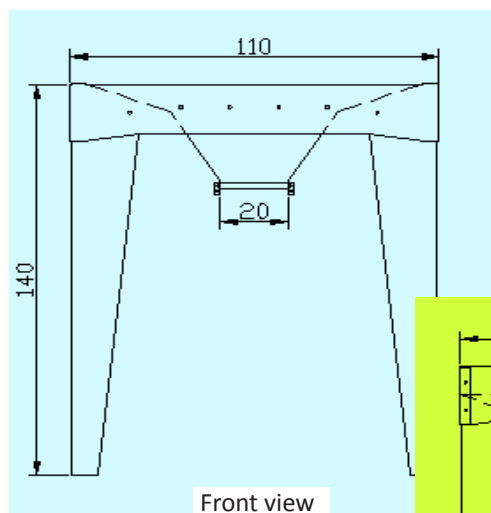


BigBag Silo BS 1200

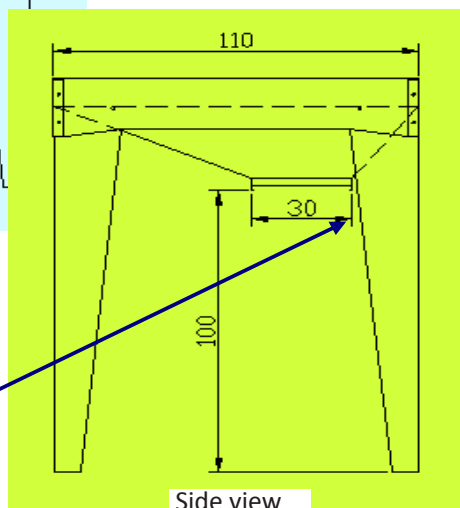
MOSEGÅRDEN A/S

With the free height of 1 m there is plenty of space for a feed truck below the **BigBag Silo BS 1200**

The **BigBag Silo BS 1200** is made of severe galvanized steel plates and can easily carry a big bag of 1200 kilos



Front view



Side view

The funnel-shaped construction provides an easy access to the slide gate and the silo outlet passes the front legs



Contact Mosegård

Phone: +45 9786 1966

Fax: +45 9786 1446

post@mosegarden.dk

Lars Bjerre

Sale- and service technician

+45 2014 1241

lb@mosegarden.dk

09.08.19